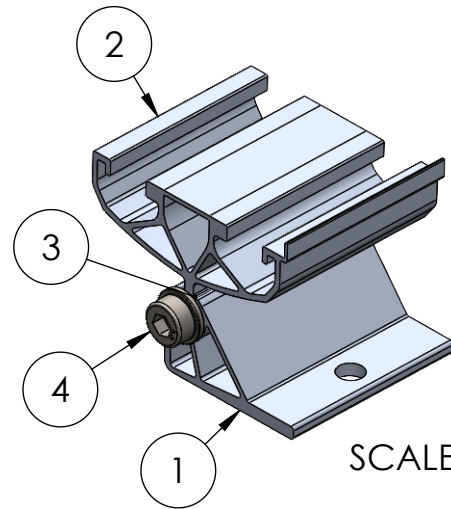
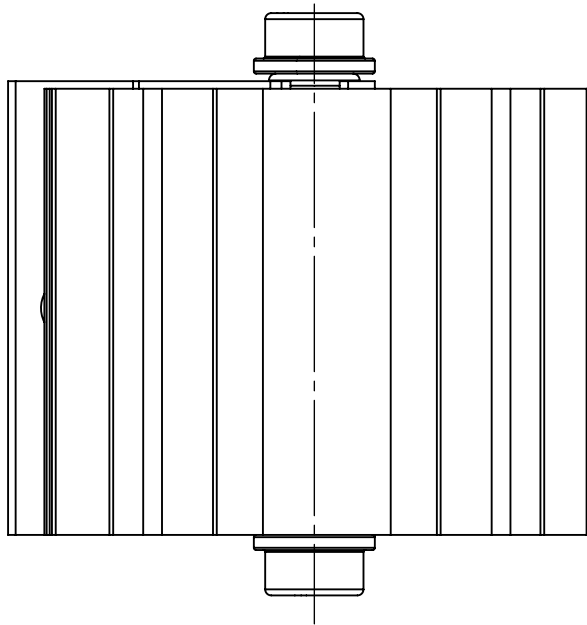
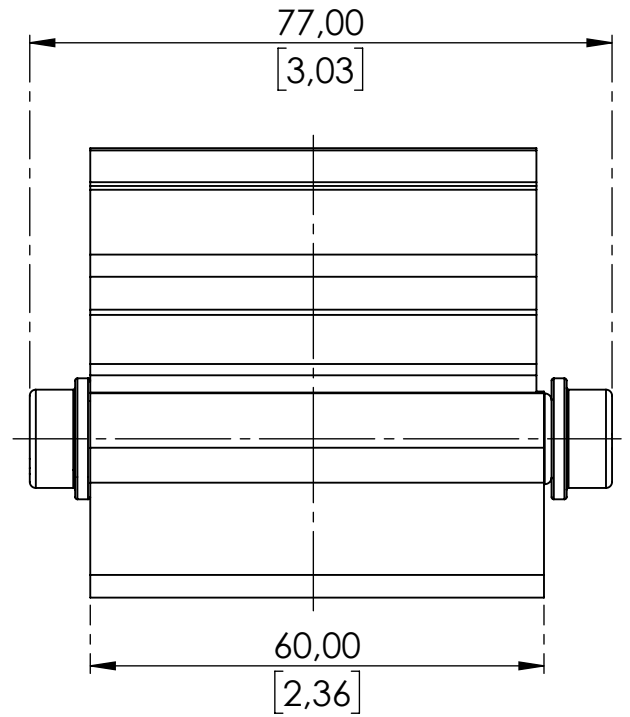
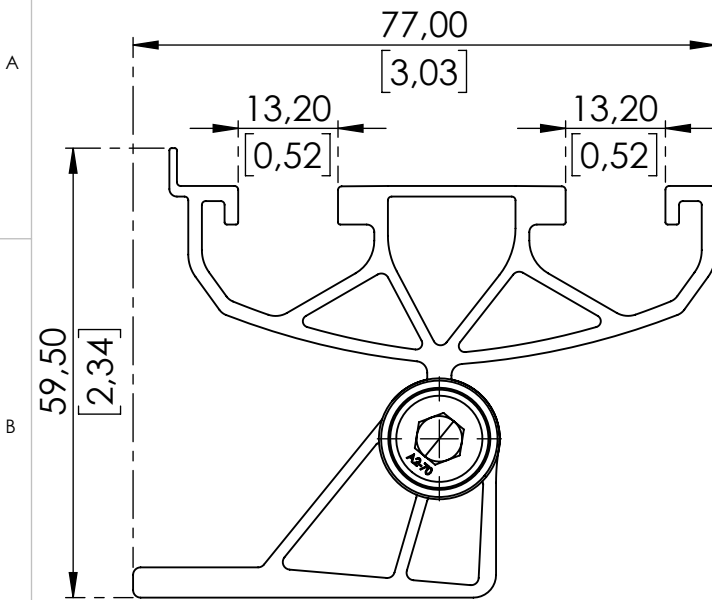


Product no.: 731012

Dimensions in mm and [inch]



SCALE 1:2

Pos. No.	Pcs	Description	Material
1	1	SN Front Bracket Landscape	EN AW-6063 T66 (HBW 75-80)
2	1	SN Lever Landscape	EN AW-6063 T66 (HBW 75-80)
3	1	O-ring Ø12/Ø7x2,5mm Class B - ISO 3601	EPDM
4	2	Allen head screw with serration M8x20mm - DIN 7500E & Washer ISO 9054	A2-70

Standard: EN 1090 EXC1		Tolerances:		DIN ISO 128-30		Scale: 1:1 1:2		Weight: 0.15 kg									
						Material:											
				<table border="1"> <thead> <tr> <th>Date</th> <th>Name</th> </tr> </thead> <tbody> <tr> <td>established 15.02.2022</td> <td>mau</td> </tr> <tr> <td>approved 02.03.2022</td> <td>mbu</td> </tr> <tr> <td>released 02.03.2022</td> <td>nul</td> </tr> </tbody> </table>		Date	Name	established 15.02.2022	mau	approved 02.03.2022	mbu	released 02.03.2022	nul	Surface:			
Date	Name																
established 15.02.2022	mau																
approved 02.03.2022	mbu																
released 02.03.2022	nul																
				<p>AEROCOMPACT® www.aerocompact.com office@aerocompact.com</p>		Title: SNLSFB SN Front bracket Landscape											
						Drawing No.: 731012		Index: A									
Modification		Date		Name		Page: 1		A4									